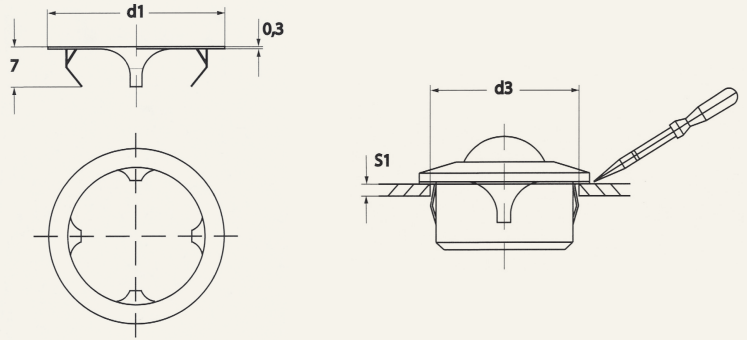


## FIXING CLIPS-REMOVABLE

FIXING CLIPS ARE AVAILABLE FOR BALL TRANSFER UNITS WITH COLLAR AND HOLE DIAMETERS 24, 36 AND 45 mm. EASY TO DISMANTLE.



### FIXING CLIPS-REMOVABLE



UNIT TYPE	Ø FIXING HOLE WITH CLIP	D1	D3	S1
SP 15	SPS 15 / SPM 15 / SPP 15	30,50	25 -0,2	2 – 3 mm
SP 22	SPS 22 / SPM 22 / SPP 20	44	37 -0,3	2 – 4 mm
SP 30	SPS 30 / SPM 30 / SPP 30	54,80	46,7 -0,2	2 – 4 mm

## FIXING CLIPS NOT REMOVABLE

WE CAN SUPPLY VERSIONS OF THIS FIXING CLIP FOR CONVEYOR BALLS WITH COLLAR AND END DIAMETERS OF 22, 24 AND 45 MM. MOUNTED BY THE PART LOWER.